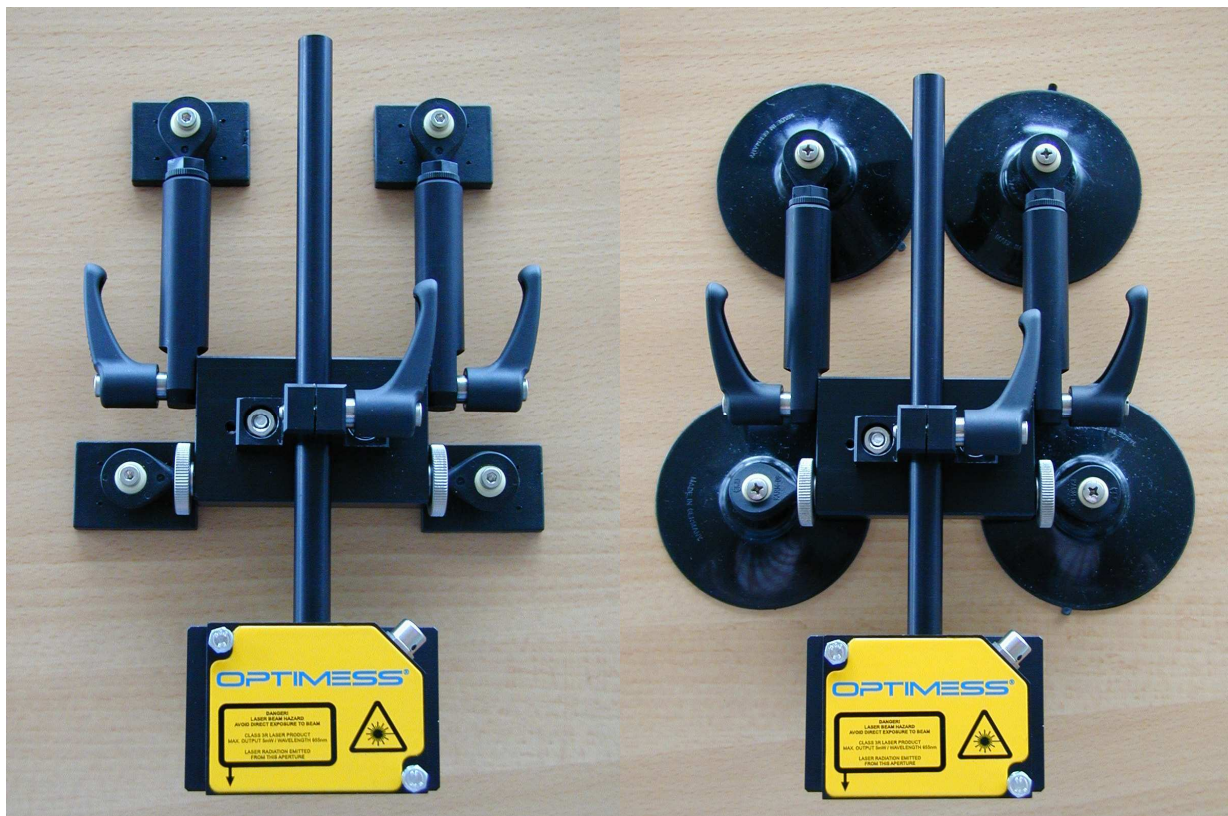


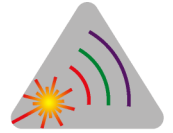
Mounting device OPTImount



magnetic holder

suction holder

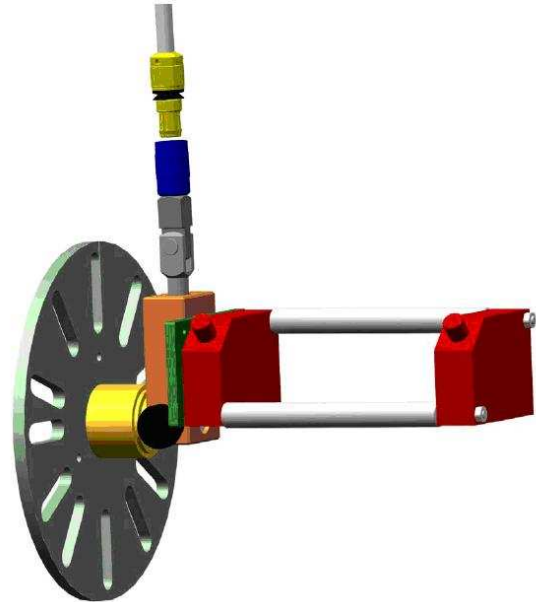
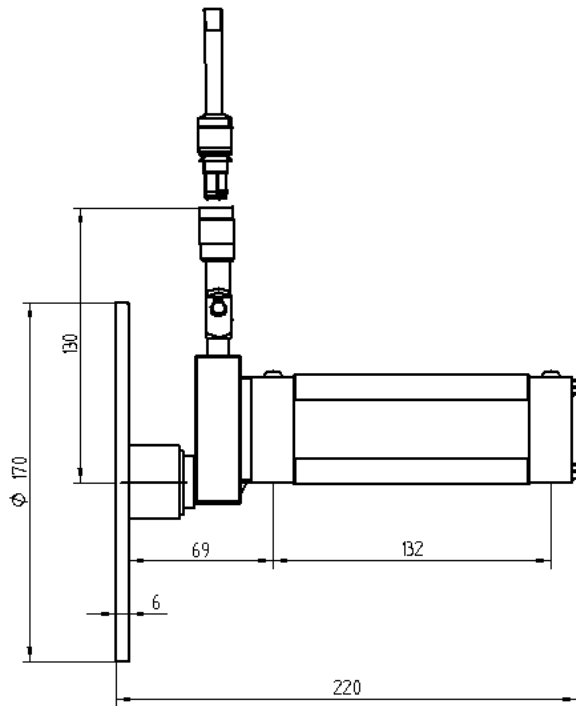
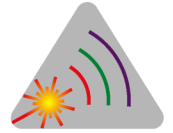
Mounting device for OPTImess MC with height adjustment



Mounting device OPTIhub



Mounting device with 2 OPTImess MC for Rollover measurement



Technical data OPTIhub



Storage case for OPTIhub